

# LED Video Controller

---

Specification v1.1



## Overview

The controller possesses powerful video signal input and processing capacity. It supports 4K inputs with DP 1.2 and HDMI 2.0 ports, and 2K inputs with HDMI 1.4 and DVI ports, and the multiple signals can be seamlessly switched. Equipped with 16 Gigabit Ethernet ports, the controller can greatly meet your different demands. Additionally, the device boasts abundant practical functions that enable flexible screen control and high-quality image display.

## Features

- Input ports: 1×DP 1.2, 1×HDMI 2.0, 2×HDMI 1.4, 2×DVI.
- Loading capacity: 10.48 million pixels, maximum 16384 pixels in width or maximum 8192 pixels in height.
- Input resolution: up to 4096×2160@60Hz, supporting customized setting.
- Output ports: 16×Gigabit Ethernet port.
- Video source switching, cropping, splicing and scaling.
- Up to 6 windows, of which the location and size can be freely adjusted.
- Precise color management and display gamut adjustment.
- Video sync.
- Separate audio input and output.
- Analyzing and outputting the audio signals of HDMI and DP inputs.
- LAN control.
- Control via hand-held terminal (app).
- RS232 protocol control.
- 3D (Optional).
- HDCP (Only HD interface support).
- Brightness and color temperature adjustment.

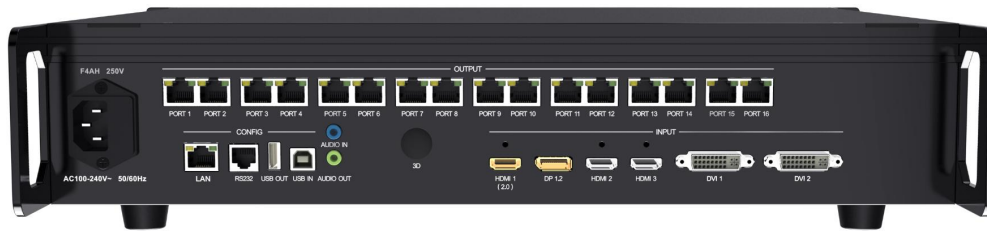
## Hardware

### Front panel



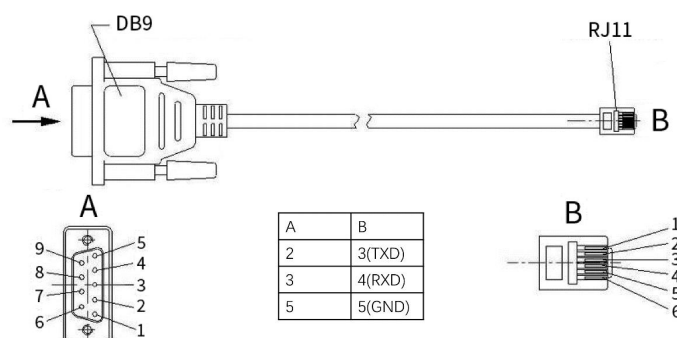
Item	Function
LCD	Display the operation menu and system information.
Knob	<ul style="list-style-type: none"><li>• Turn the knob to select an item or adjust the parameter.</li><li>• Press the knob to confirm your selection or adjustment.</li></ul>
Function Keys	<ul style="list-style-type: none"><li>• <b>OK</b>: Enter key.</li><li>• <b>Bright</b>: Brightness adjustment.</li><li>• <b>ESC</b>: Exit the current menu or operation.</li><li>• <b>Black</b>: Blackout.</li><li>• <b>Lock</b>: Lock all the keys of the front panel.</li><li>• <b>Freeze</b>: Freeze the image.</li></ul>
Mode Keys	<ul style="list-style-type: none"><li>• <b>HDMI1 / DP / HDMI2 / HDMI3 / DVI1 / DVI2</b>: Video source selection keys.</li><li>• <b>Signal</b>: View the signals.</li><li>• <b>Mode</b>: Presets scene switches, which can be switched by knob or button row.</li><li>• <b>1~7</b>: Presets scene quick selection button.</li></ul>
Power Switch	Switch the device on or off.

## Rear panel



<b>Input</b>	
HDMI 1 (2.0)	1× HDMI 2.0
DP 1.2	1× DP 1.2
HDMI 2, HDMI 3	2× HDMI 1.4
DVI1, DVI2	2× DVI
<b>Output</b>	
Port 1-16	RJ45, 16× 1 Gigabit Ethernet port
<b>Control</b>	
LAN	Network control (communication with PC, or access network)
RS232	RJ11(6P6C)*, connect to the third party device
USB OUT	USB output, for cascading with the controller
USB IN	USB input, connecting to PC for debugging
<b>3D</b>	
3D (optional)	Connect to the 3D emitter
<b>Audio</b>	
AUDIO IN	Audio input, for inputting audio signals from the computer or other devices
AUDIO OUT	Audio output, for outputting audio signals to the speaker (Support outputting the audio signals of HDMI and DP)
<b>Power</b>	
MAINS INPUT	AC power connector, AC 100~240V, containing a built-in fuse

\* DB9 female to RJ11(6P6C) cable:



## Device Specifications

<b>Size</b>		2U
<b>Electrical Specifications</b>	Input Voltage	AC100~240V, 50/60Hz
	Power Consumption	50W
<b>Operating Environment</b>	Temperature	-20°C~70°C/-4°F~158°F
	Humidity	0%RH~80%RH, non-condensing
<b>Storage Environment</b>	Temperature	-30°C~80°C/-22°F~176°F
	Humidity	0%RH~90%RH, non-condensing
<b>Device Specifications</b>	Dimensions	W×H×L/482.6mm×103.0mm×415.1mm/19"×4.1"×16.3"
	Net Weight	4.8kg/10.58lbs
<b>Packing Specifications</b>	Dimensions	W×H×L/525.0mm×150.0mm×495.0mm/20.7"×5.9"×19.5"
	Net Weight	1.8kg/3.97lbs

## Technical Specifications

<b>HDMI 2.0(A)</b>			
Standard	HDMI 2.0 specification, EIA/CEA-861 standard		
	Backward compatible with HDMI 1.4 and HDMI 1.3		
Input	Format		Maximum Input Resolution
	8bit	RGB444	4096×2160@60Hz
		YCbCr444	
		YCbCr422	
	Frame Rate	23.98/24/25/29.97/30/50/59.97/60/120/144Hz	
Support audio input			
<b>DP 1.2</b>			
Standard	DP 1.2 specification, support EDID		
Input	Format		Maximum Input Resolution
	8bit	RGB444	4096×2160@60Hz
		YCbCr444	
		YCbCr422	
	Frame Rate	23.98/24/25/29.97/30/50/59.97/60/120/144Hz	
Support audio input			
<b>HDMI 1.4</b>			
Standard	HDMI 1.4 specification, HDCP1.4 compliant		
Input	Format		Maximum Input Resolution
	8bit	RGB444	1920×1200@60Hz
		YCbCr444	
		YCbCr422	
	Frame Rate	23.98/24/25/29.97/30/50/59.97/60Hz/120/144Hz	
Support audio input			
<b>DVI</b>			
Standard	HDCP1.4 compliant		
Input	Format		Maximum Input Resolution
	8bit	RGB444	1920×1200@60Hz
		YCbCr444	
		YCbCr422	
	Frame Rate	23.98/24/25/29.97/30/50/59.97/60Hz/120/144Hz	

# Reference Dimensions

Unit: mm

