

Player

Specification v1.1



Overview

New generation of asynchronous and synchronous LED players support synchronous display and asynchronous playback.

The player supports the arbitrary arrangement of programs in multiple windows and the playback of various programs such as videos, pictures, texts, tables, clocks, streaming media, web pages and weather. It is also available for editing and publishing program by corresponding software.

The player supports Wi-Fi hotspots connection and it is designed for program management and parameter settings for mobile phones, pads, computers and other devices. The player supports LAN scheduling and it can automatically adjust the brightness with the light sensor (optional) to meet the needs of brightness adjustment in various occasions.

The player supports plug-and-play and can also perform program update and management through the wired network. As a brand-new playback control system, the player has significant advantages in advertising screens, display screens and other fields.

Features

New breakthrough

- Synchronous input or asynchronous playback and settings of synchronous and asynchronous priority.
- Loading capacity of the overall unit is 1.3 million pixels with maximum pixel dimensions of 4096 x 2560. It supports screen zoom display of synchronous input.
- Audio output.
- Installed 8G memory of which 4G is available for users; support playback via USB.
- Fully compatible with program management and display configuration of conventional synchronous control system.

Intelligent control, convenient management

- U-disk plug and play.
- Multi-screen synchronous playback (NTP synchronization).
- LAN program scheduling and command scheduling.
- Support the monitoring of operating environment temperature, humidity, brightness and other parameters and automatically adjust the brightness of the

display screen (sensors need to be purchased separately).

Program management, easy to operate

- Use software for program editing with comprehensive functions and convenient operation.
- Multi-window and window size and position can be set freely with window overlay.
- Rich media materials, such as pictures, videos, texts, tables, clocks, streaming media, web pages and weather, etc.
- Multi-page playback.

Specifications

Basic Parameters	
Memory	8GB (4GB available)
Loading capacity	The loading capacity of the overall unit is 1.3 million pixels with maximum pixel dimensions of 4096 x 2560.
Media Format	
Program classification	Support the program window classification, arbitrary overlay and multi-page playback
Video format	HEVC(H.265), H.264, H263, MVC, MPEG-4, MPEG-1/2, GOOGLE VP8, GOOGLE VP9, VC-1, MOTION JPEG
Audio format	AAC-LC, HE-AAC, HE-AAC V2, MP3, Linear PCM.
Image format	Bmp, jpg, png, gif, webp, etc.
Text format	Txt, rtf, word, ppt, excel through software on PC.
Text display	Support single-line text, multi-line text for static and dynamic display.
Multi-window display	Support a single 1080P video window or up to 3 720P video windows, multiple graphics and texts, rolling subtitles, rolling pictures, LOGO, date and time, weather forecast. Provide the function of free screen split and display different content in different areas.
Window overlapping	Arbitrary overlay of windows with transparent, opaque and other effects.
RTC	Real time clock display and management.
Terminal management and automatic control	
Connection	USB cable, LAN or Wi-Fi.
Program update methods	U-disk plug-and-play, management terminal wireless transmission, USB cable directly connect for release.
Manage devices	Smart terminals such as PC, Android, iOS, etc.
Wireless control	Brightness real-time adjustment, synchronous and asynchronous switching, turn on / off LED display, system parameters

	configuration, program playback control, wireless program transmission.
Automatic brightness adjustment	Automatic adjustment of screen brightness according to fixed time or according to ambient brightness (sensors need to be purchased separately).
LAN scheduling	Support the programs playback mode of inter-cut and rotation, timed brightness adjustment, timed sleep, wake-up, restart, etc.

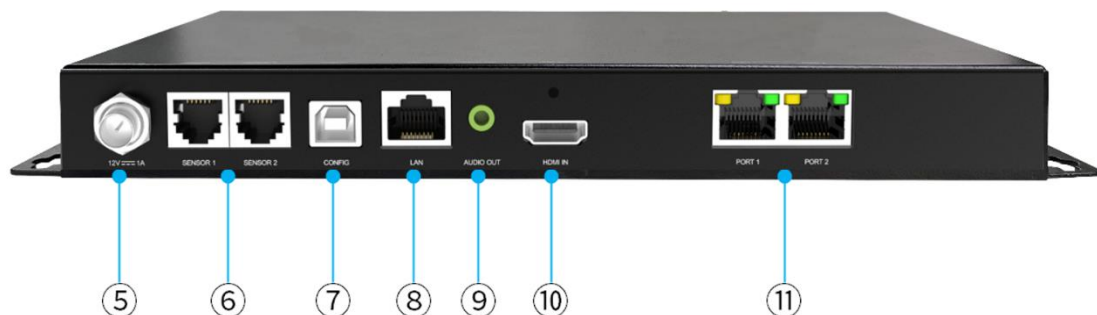
Hardware

Front panel



No.	Name	Function
1	ASYNC SYNC	Synchronous and asynchronous switch indicator, ASYNC (asynchronous indicator), SYNC (synchronized indicator).
2	INPUT SWITCH	Synchronous and asynchronous switch buttons.
3	USB	USB-A 3.0 interface, support external U disk or USB camera connection.
4	Wi-Fi	External Wi-Fi antenna to provide frequently used Wi-Fi hotspot, or connect to other Wi-Fi routers.

Rear panel



No.	Name	Function
5	12V=1A	DC 12V power input.
6	SENSOR 1/2	RJ11 interface which is used to connect the sensor to automatically

		adjust the brightness of the display screen; monitor and display parameters such as ambient brightness, smoke, temperature and humidity and air quality (sensors need to be purchased separately).
7	CONFIG	USB-B interface for used to connecting to a PC for configuration and debugging of the LED player.
8	LAN	Fast Ethernet port for accessing to LAN.
9	AUDIO OUT	Support 1/8" (3.5mm) TRS output, output HiFi stereo.
10	HDMI IN	HDMI1.4 input interface with HDMI synchronization signal input.
11	PORT1-2	Network port of gigabit signal output which is connected to the receiver of LED display.

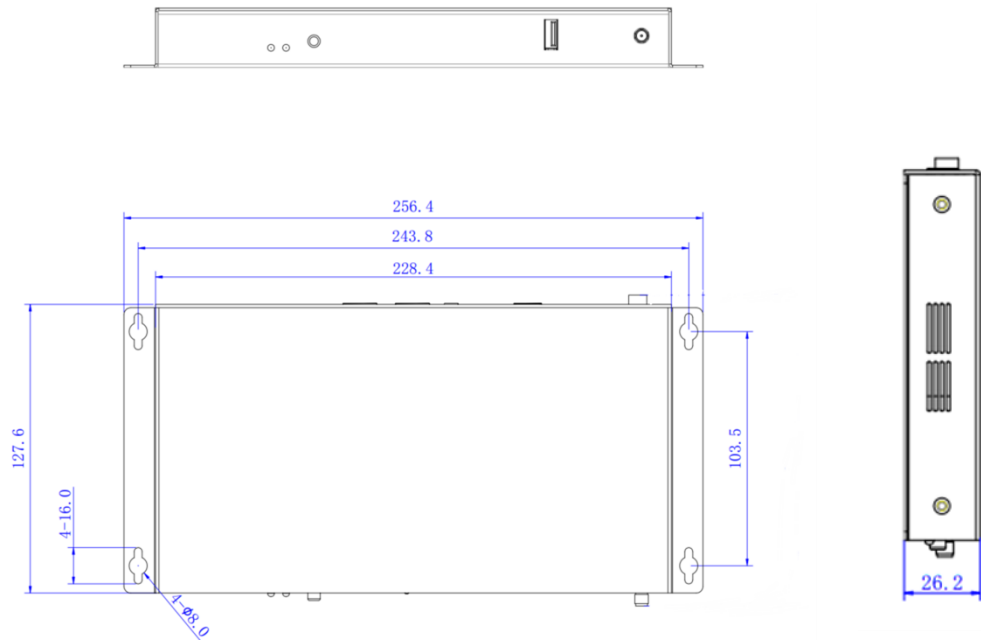
Physical Parameters

Dimensions (W×H×D)	
Unboxed	256.4mm×127.6mm×26.2mm (no antenna)
Net weight	0.88kg
Electrical specification	
Power input	DC12V
Rated power	9W
Operating environment	
Temperature	-30°C~80°C (-22°F~176°F)
Humidity	0-95%, non-condensing

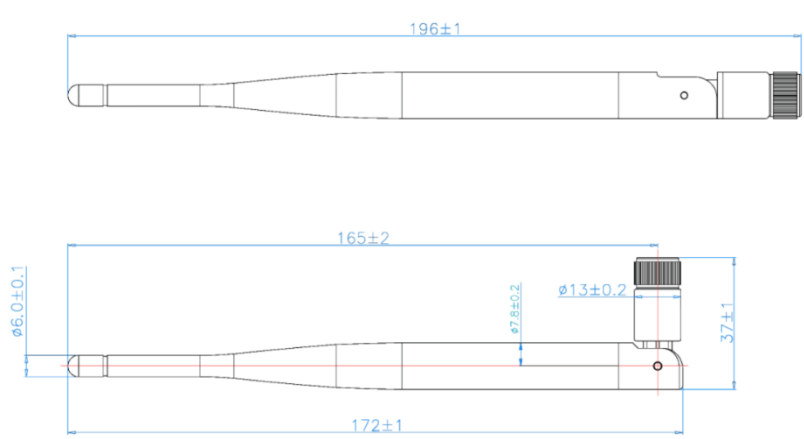
Reference Dimensions

Unit: mm

LED Player



WiFi antenna



* Dimensions and weight may vary depending on different configuration and manufacturing process.