

Player

Specification v3.0



Overview

New-generation cloud networking player supports the 4G, WiFi, wired network and other various networking methods, and can be deployed rapidly to achieve intelligent cloud management, and multi-screen, multi-business and cross-regional unified management. It has significant advantages in the fields of indoor and outdoor fixed installation, centralized management, publish and monitoring, and can be widely used in various commercial display fields such as lamp post screens, store display screens, advertisement players, mirror screens, vehicle screens, etc.

Features

- Loading capacity up to 650,000 pixels, with maximum 4096 pixels in width or 3840 pixels in height.
- Multi-level cloud management and role-based program publishing.
- Cloud monitoring of LED screens, automatic notifications and actions based on the alarm configuration.
- Strong processing performance, H.265 high-definition video hardware decoding and playback.
- 8GB storage, available 4G storage capacity.
- Multiple play modes
 - Plug and play content and program updating from USB drive.
 - Synchronized playback across multiple displays.
 - Command and program schedules.
- Contents
 - Up to 32 program pages playback.
 - Rich media materials, such as pictures, videos, texts and clocks, and support video and picture scaling.
 - Multi-window playing and overlay, and the window size and position can be set freely.
- Comprehensive control scheme
 - Manage player via different platforms like PC, smartphone, Pad. Different application software for management, convenient for various situations.

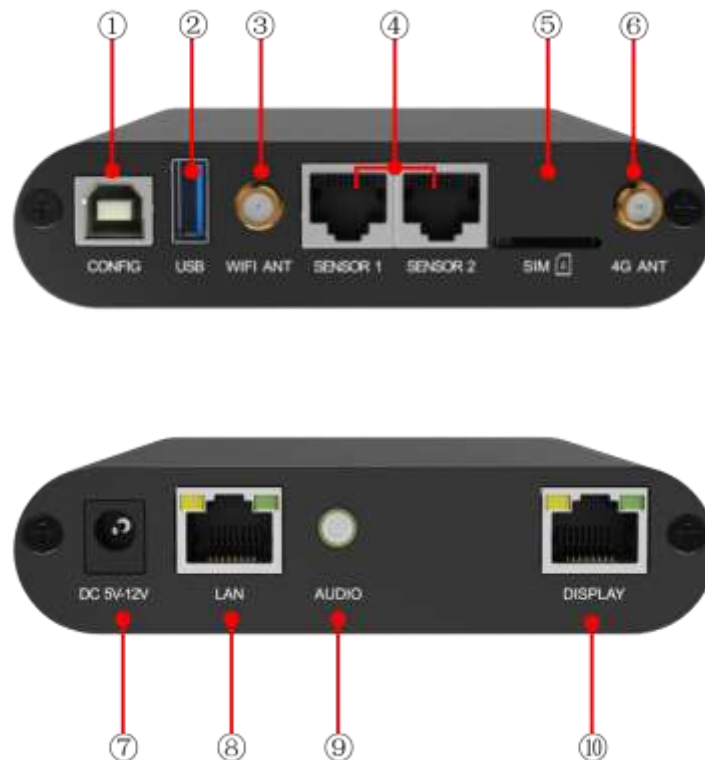
- Network communication
 - WiFi 2.4G band, WiFi hotspot mode and WiFi client mode¹.
 - LAN, supporting DHCP mode and static mode.
 - 4G communication, supporting 4G network (optional).
 - GPS positioning (optional).

Specification

Basic parameters	
Hardware performance	High-definition hardware decoding.
Storage	8GB (4GB available) .
Loading capacity	Up to 650,000 pixels, with a maximum 4096 pixels in width or a maximum 3840 pixels in height.
OS	Android.
File format	
Program schedule	Multi-program sequential playback, support program timing setting.
Split program window	Arbitrary splitting and overlaying of windows, and multi-page playback.
Video format	HEVC (H.265), H.264, MPEG-4 Part 2 and Motion JPEG.
Audio format	AAC-LC, HE-AAC, HE-AAC v2, MP3, Linear PCM.
Image format	Bmp, jpg, png, gif, etc.
Text format	Txt, rtf, word, ppt, excel, etc. (Used in conjunction with software).
Text display	Single-line text, multi-line text, static text and scrolling text.
Multi-window display	Supports a single HD video window, or up to 3 SD video windows, multiple picture/text, scrolling text, scrolling picture, LOGO, date/time/week and weather forecast windows. Flexible content display in different areas.
Window overlaying	Arbitrary overlapping with transparent and opaque effects.
RTC	Real-time clock display and management.
U disk plug and play	Support.

¹ The stability of the signal communication between WiFi hotspots and WiFi clients is related to the transmission distance, the wireless network environment and the WiFi frequency band.

Hardware



Interface Description

No.	Name	Function
1	CONFIG	USB-B port, for controlling the device, such as setting screen parameters and publishing programs
2	USB	USB-A port, supporting USB 3.0, for updating programs via USB drive
3	WIFI ANT	External WiFi antenna, provide permanent WiFi hotspot, or connect to other WiFi routers
4	SENSOR 1/2	RJ11 port, connected with a sensor to achieve automatic brightness adjustment, monitoring and display of index of ambient brightness, smoke, temperature, humidity, air quality, etc.
5	SIM card slot	Micro-SIM card slot (Use with 4G module)
6	4G ANT	Connect to 4G antenna (optional)
7	DC 5V-12V	Power input

8	LAN	Fast Ethernet port, access to wired network
9	AUDIO	3.5mm, HIFI stereo output
10	DISPLAY	RJ45, signal output, connect to receiving cards

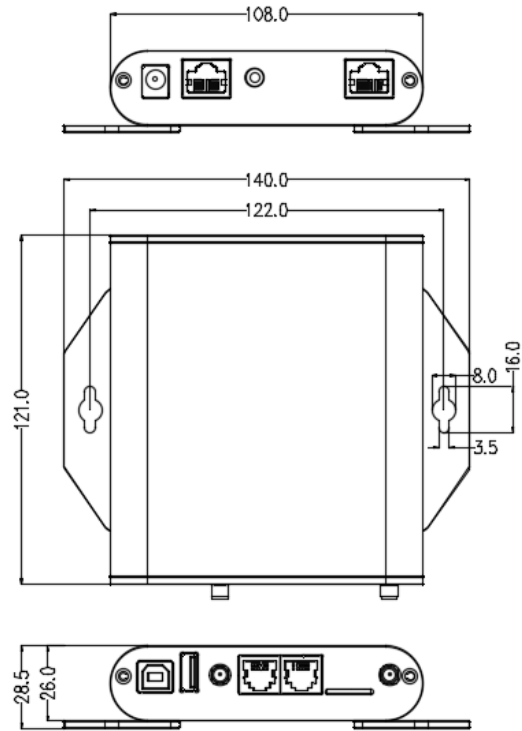
Parameters

Dimensions	
Unboxed	108.0mm (4.25") × 128.0mm (5.04") × 26.0mm (1.02")
Boxed	370.0mm (14.57") × 320.0mm (12.6") × 52.0mm (2.05")
Weight	
Net weight	0.33kg (1.83lbs)
Electrical specification	
Power input	DC 5-12V
Rated power	10W
Operating environment	
Temperature	0%RH~95%RH, non-condensing
Humidity	-40°C~80°C

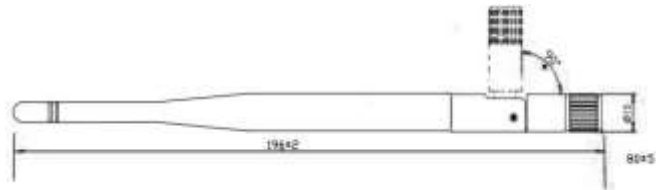
Reference dimensions

Unit: mm

Player



WiFi antenna



4G antenna (optional)

