

Player

Specification v2.1



Overview

New-generation cloud networking player that supports synchronous display and asynchronous playback. It supports 4K H.265/H.264 hard decoding, 4K VP9 decoding playback. Maximum load capacity 2.3 million pixels and support up to 1920×1200@60Hz. Based on the Cloud platform, functions such as player monitoring, program creating, program scheduling, program centralized publishing, and multi-level privilege management are supported.



The player supports networking methods like WiFi, LAN, 4G (optional), which enables rapid deployment of intelligent cloud management, multi-screen, multi-service, cross-regional unified management. The player has a permanent WiFi hotspot, and can connect to other WiFi hotspots. Program management and parameter settings can be achieved via smartphone, tablet and PC. The player supports command scheduling and LAN scheduling, and can achieve automatic brightness setting to meet the brightness adjustment needs of various occasions.

With Software, the player offers program editing and publishing and program multi-window arbitrary arrangement, allows for program materials playback such as video, picture, text, table, clock, streaming media, webpages, weather. Besides, it supports plug and play content from USB flash drive. Program update and management can be achieved via wired network.

As a brand-new networking control system, the player enjoys strong advantages in the application of outdoor commercial advertising screens, indoor government screen, public place information release screen, chain screen, doorstep screen, advertising players.

Features

- Loading capacity up to 2.3 million pixels, with maximum 4096 pixels in width or 2560 pixels in height.
- HDMI up to 1920×1200@60Hz.
- Synchronous display or asynchronous playback, as well as the priority setting of these two modes.
- Strong processing performance, 4K H.265/H.264 hard decoding, 4K VP9 decoding playback.
- 8GB storage, available 4G storage capacity.
- Fully compatible with conventional synchronous control system program management and display configuration.
- **Intelligent control, convenient management**
 - USB flash drive can plug and play content and updates the list of programs.
 - Synchronized playback of multiple screens (NTP synchronization).
 - Scheduled commands, LAN-based scheduling and Internet-based scheduling.
 - Ambient temperature, humidity and brightness and other parameters monitoring, as well as automatic display brightness adjustment.
- **Convenient program management**
 - Rich media materials, such as pictures, videos, texts, tables, clocks, stream media, webpages and weather.
 - Support overlaying of multiple windows, whose size and location can be freely adjusted.
 - Support multi-page playback, up to 32 program pages.
- **All-round control scheme**
 - Manage player via different platforms like PC, smartphone, Pad.
 - Different application software for management, convenient for various situations.
- **Network communication**
 - WiFi 2.4G frequency band, WiFi hotspot mode or WiFi client mode¹.
 - LAN, supports DHCP mode and static mode.
 - 4G communication, 4G network (optional).
 - GPS positioning (optional).

¹ The stability of the signal communication between WiFi hotspots and WiFi clients is related to the transmission distance, the wireless network environment and the WiFi frequency band.

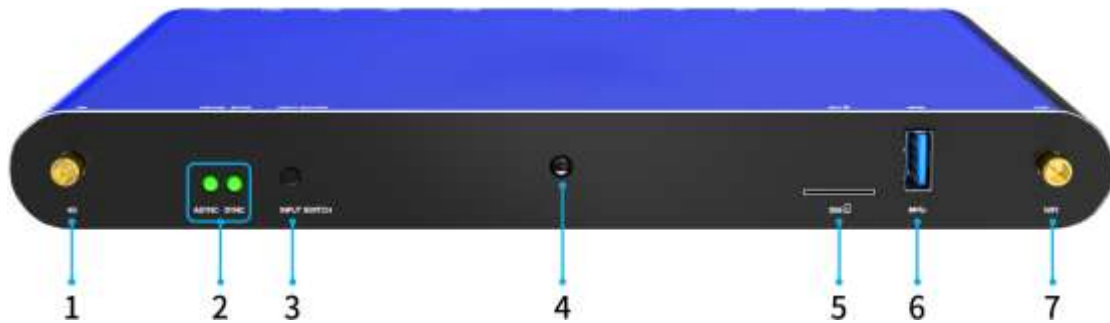
Specification

Basic parameters	
Hardware performance	4K HD hard decoding playback.
Storage	8GB (4GB available) .
Loading capacity	Up to 2.3 million pixels, with a maximum 4096 pixels in width, or a maximum 2560 pixels in height.
OS	Android.
File format	
Program schedule	Multi-program sequential playback, support program timing setting.
Split program window	Arbitrary splitting and overlaying of windows, and multi-page playback.
Video format	HEVC (H.265), H.264, VP9, MPEG-4 Part 2 and Motion JPEG.
Audio format	AAC-LC, HE-AAC, HE-AAC v2, MP3, Linear PCM.
Image format	Bmp, jpg, png, gif, etc.
Text format	Txt, rtf, word, ppt, excel, etc.
Text display	Single-line text, multi-line text, static text and scrolling text.
Multi-window display	Multi-video windows ² , multiple pictures / texts, scrolling texts, scrolling pictures, date / time / week and weather forecast windows. Flexible content display in different areas.
Window overlaying	Arbitrary overlapping with transparent and opaque effects.
RTC	Real-time clock display and management.
U disk plug and play	Support.

² Support 1×4K window, or 2×1080P windows, or 4×720P windows.

Hardware

Front Panel



No.	Name	Function
1	4G	Connect to 4G antenna (optional).
2	ASYNC SYNC	Indicator of sync and async modes.
3	INPUT SWITCH	Switch between sync and async modes.
4	IR	Receive information via infrared light (remote control, easy to operate).
5	SIM	Micro-SIM card slot (use with 4G module).
6	USB	USB 3.0, connect to USB flash drive or USB camera.
7	WiFi	Connect to WiFi antenna, support 2.4G band. <ul style="list-style-type: none"> - WiFi hotspot. - WiFi client mode (connect to other WiFi routers)

Rear Panel



No.	Name	Function
1	DC IN	DC 12V power input.
2	SENSOR 1/2	RJ11 port, connect to the sensor for automatic brightness adjustment or monitoring ambient light, smoke, temperature, humidity and air quality.
3	CONFIG	USB-B port, connect to the PC for debugging or program publishing.

4	LAN	Ethernet port, connect to wired network.
5	AUDIO OUT	3.5mm audio interface, HiFi stereo output.
6	HDMI IN	Input sync HDMI signal.
7	HDMI OUT	Output sync or async HDMI signal.
8	PORT1-4	Ethernet output, connect to receiver cards of the display.

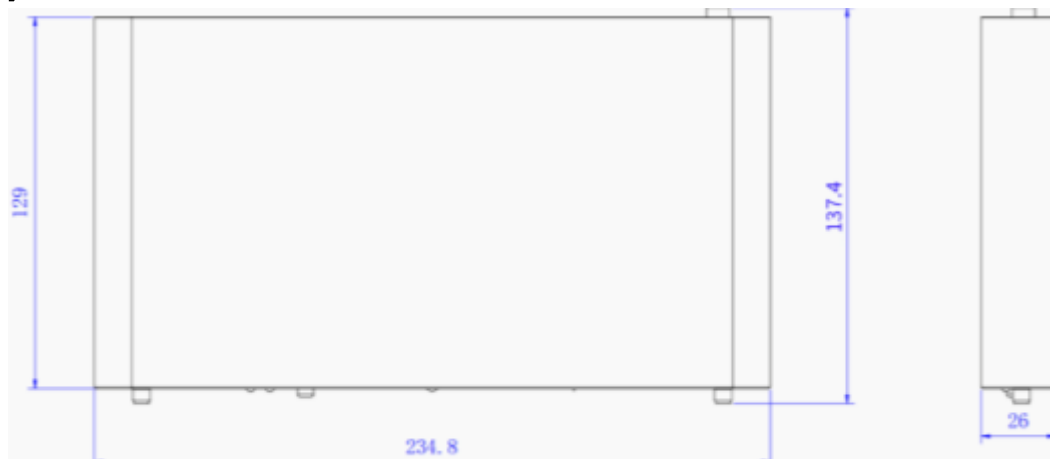
Parameters

Dimensions (W×H×D)	
Unboxed	234.8mm (9.24")×26.0mm (1.02")×137.4mm (5.41")
Boxed	360.0mm (14.17")×93.0mm (3.66")×225.0mm (8.86")
Weight	
Net weight	0.83kg (1.83lbs)
Total weight	1.70kg (3.75lbs)
Electrical specification	
Power input	DC12V
Rated power	15W
Operating environment	
Temperature	0%RH~95%RH, non-condensing
Humidity	-20°C~65°C / -4°F~149°F

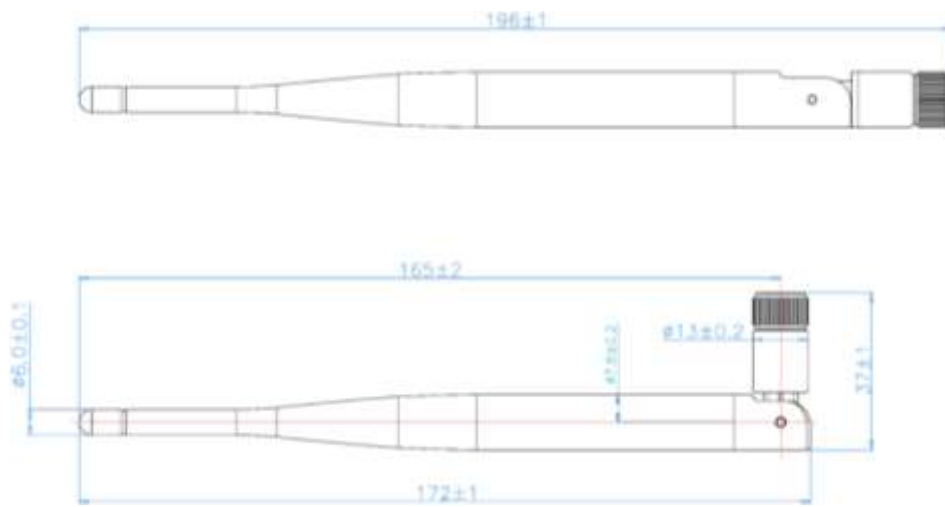
Reference dimensions

Unit: mm

Player



WiFi antenna



4G antenna (optional)

